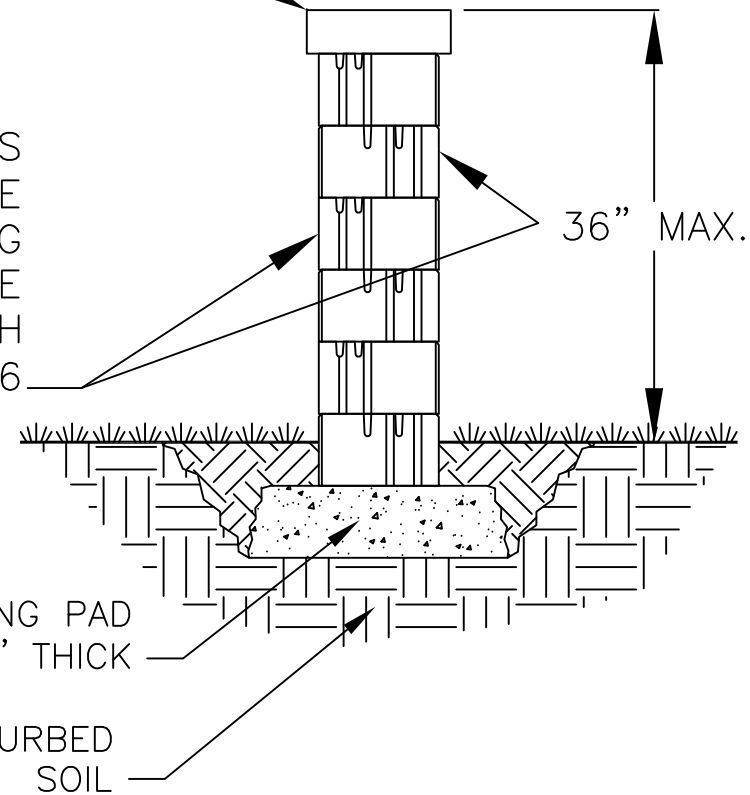


OVERHANG CAP UNIT
1" EACH SIDE

SPLIT OFF BACK 2" OF ALL UNITS
ABOVE GRADE TO MAKE SPLIT FACE
ON BOTH SIDES SEE FREESTANDING
WALL INSTALLATION SEQUENCE
DRAWING AND VERSA-LOK TECH
BULLETIN #6



GRANULAR LEVELING PAD
MIN. 6" THICK

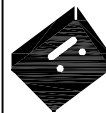
UNDISTURBED
SOIL

FREESTANDING WALL DETAIL

HARMONY UNITS-AT GRADE

SCALE: 3/4"=1'

THESE PRELIMINARY DETAILS ARE INTENDED AS AN AID IN DESIGNING ATTRACTIVE, DURABLE RETAINING WALLS WITH VERSA-LOK UNITS. FINAL DETERMINATION OF THE SUITABILITY OF ANY INFORMATION OR MATERIAL FOR THE USE CONTEMPLATED, AND ITS MANNER OF USE, IS THE SOLE RESPONSIBILITY OF THE USER. A FINAL PROJECT SPECIFIC DESIGN SHOULD BE PREPARED BY A QUALIFIED, LICENSED, PROFESSIONAL ENGINEER.



VERSA-LOK[®]
Retaining Wall Systems

(800)770-4525 fax(651)770-4089
6348 Hwy36 Ste1, Oakdale, MN 55128 **Solid Solutions**[™]

VERSA-LOK HARMONY DETAILS

FREESTANDING WALL DETAIL

SCALE:	AS NOTED
DRAWN BY:	PDL
CHECKED BY:	
DATE:	12/2015
DWG. NO.	HAR FREESTANDING WALL III